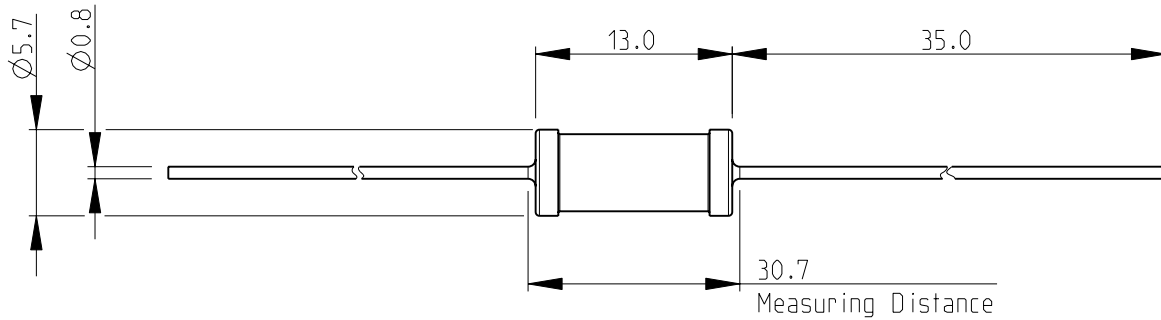
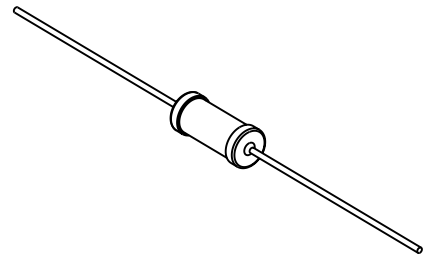


LOC	DIST	REVISIONS					
E	B	P	LTR	DESCRIPTION	DATE	DWN	APVD
			BA	NEW RELEASE	16-Sep-08	SM	St.P

FOR FURTHER INFORMATION SEE DATA SHEET FOR  
C SERIES-HIGH POWER RESISTORS



RoHS Compliant



SCALE 1:1

2008

RELEASED FOR PUBLICATION

THIS DRAWING IS UNPUBLISHED.

BY TYCO ELECTRONICS CORPORATION. ALL RIGHTS RESERVED.

© COPYRIGHT 2008

DIMENSIONS: mm	DWN	SUBHASH.M	16-Sep-08	MATERIAL	-	FINISH	-	
	CHK	PRAKASH.S	16-Sep-08	Tyco Electronics Tyco Electronics Corporation Dorcan, Swindon, SN3 5HH				
TOLERANCES UNLESS OTHERWISE SPECIFIED:	APVD	STEPHEN.P	16-Sep-08					
	0 PLC	$\pm 0.2$	PRODUCT SPEC	-	NAME			HIGH POWER RESISTORS SERIES C3A
1 PLC	$\pm 0.1$	APPLICATION SPEC	-	SIZE	CAGE CODE	DRAWING NO	RESTRICTED TO	
2 PLC	$\pm$	WEIGHT	-	A 4	00779	C-1623771	-	
3 PLC	$\pm$	CUSTOMER DRAWING						
4 PLC	$\pm$	SCALE				2:1	SHEET	1 OF 1
ANGLES	$\pm 5^\circ$	REV				BA		